

4

3

2

1

F

F

E

E

D

D

C

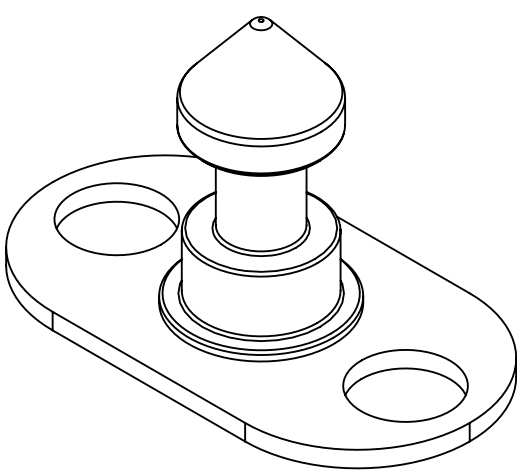
C

B

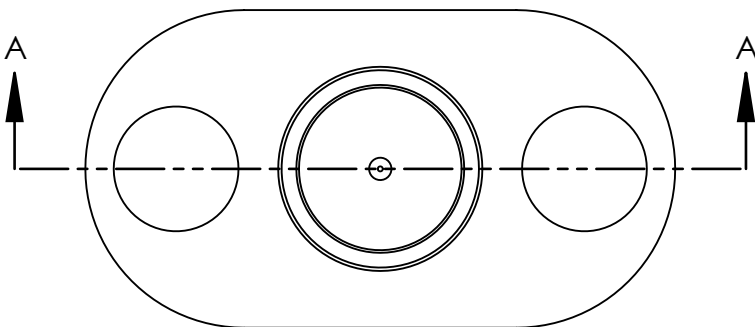
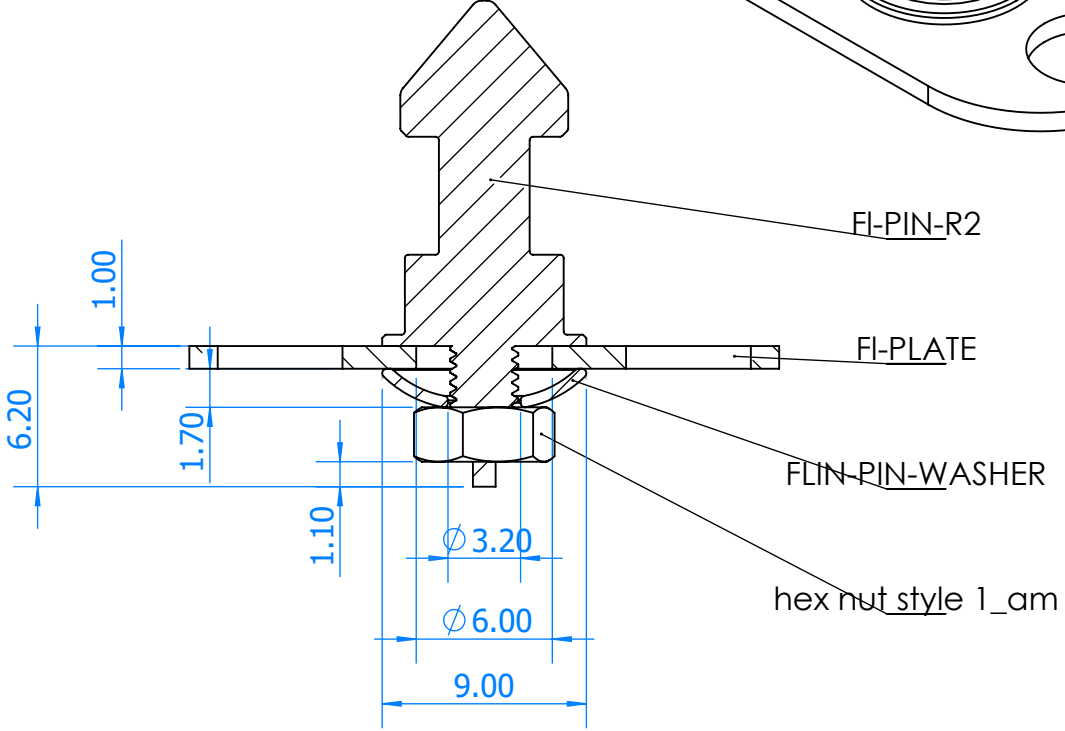
B

A

A



SECTION A-A
SCALE 3 : 1



1	-	14/07/2020
2	-	-
3	-	-
4	-	-
9	-	-

PS[®]

PS GmbH - Austria - www.pslocks.com

draw number	F	I
-	-	-
european projection 	copyright according to ISO 16016	

4

3

2

1