

STRIKER

DOOR ACCESS UNIT

Give your home, your office or other doors a RFID access control. With the STRIKER you can control any external 12V DC unit.

The internal relay has a maximum load of 5A.

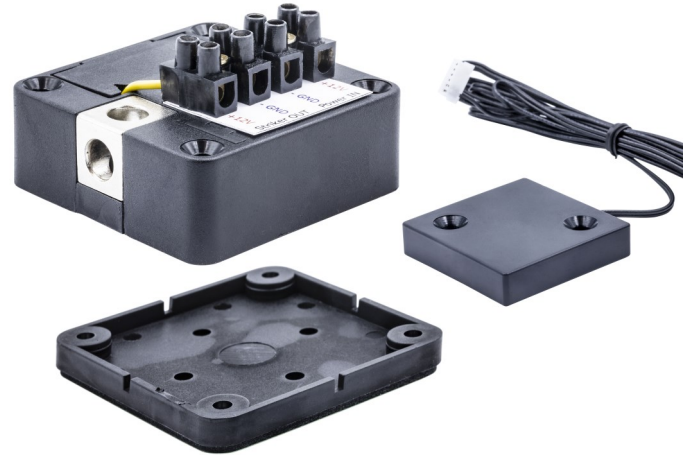
Connect the 12V DC power supply as well as the electronic door striker to the connectors at the top of the unit.

The STRIKER includes:

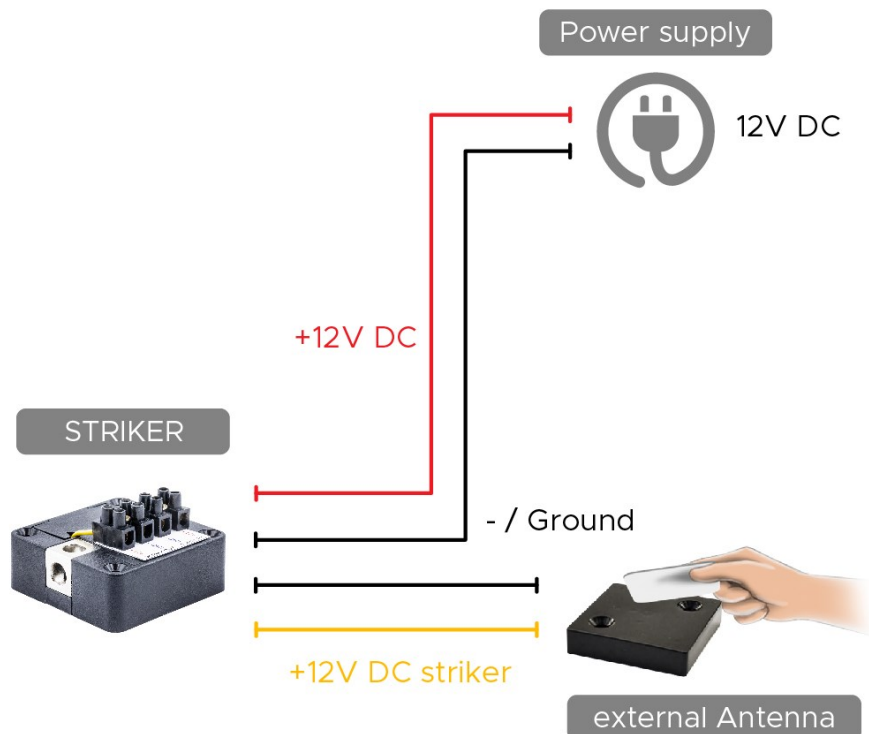
- Electronic control unit
- External antenna with 1,5m cable
- Distance plate

Not included:

- electronic door striker
- 12V DC power supply



Article number:	STRIKER
Customs tariff number:	83013000
Order quantity:	100
Country of origin:	Austria



STRIKER

DOOR ACCESS UNIT

