

PLUR

CENTRAL LOCKING SYSTEM

- Several drawers can be locked with PLUR, the electronic lock for central locking systems.
- Whether with RFID cards or via Bluetooth, PLUR is fixed inside, is not visible from the outside and allows a continuous design without interruption of the furniture surface.
- The integrated battery allows flexible mobility as no power connection is required. The battery status is displayed in the app or checked whenever a RFID key is used.
- The RFID reading range and battery life depends on the technology used and the quality of the key units (cards, fobs, stickers, bracelets) or battery used.

Features:

- Battery or power supply driven
- approx. 20,000 cycles per battery
- Access control up to 49 users
- Programming without any pc or software
- Simple to install and robust
- Opens and locks with the key (RFID Version)
- On request, the lock can also close automatically after 3 seconds (RFID Version)
- Range of Temperature: 5-35°C

Article number	PLUR
Customs tariff number	83013000
Country of origin	Austria

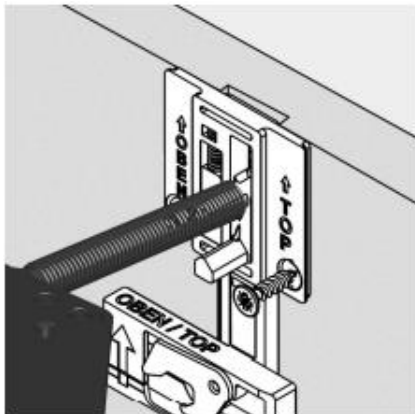


Technologies and Ranges

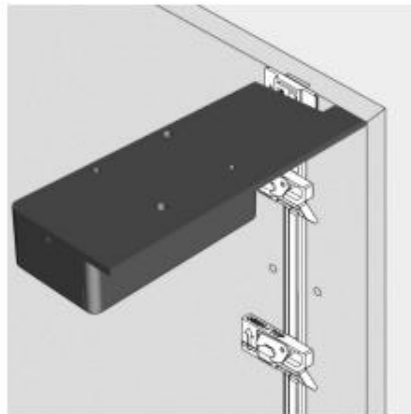
- RFID 125 kHz (EM4102 / EM4200)
 - up to 30 mm with RFID key cards
 - up to 15 mm with RFID key chips
- RFID 13,56 MHz (Mifare ISO 14443A)
 - up to 20 mm with RFID key cards
 - up to 10 mm with Mifare debit and credit cards
 - up to 15 mm with RFID key chips
- Bluetooth (at least Version iOS 12.0 / Android 7.0)

INSTALLATION

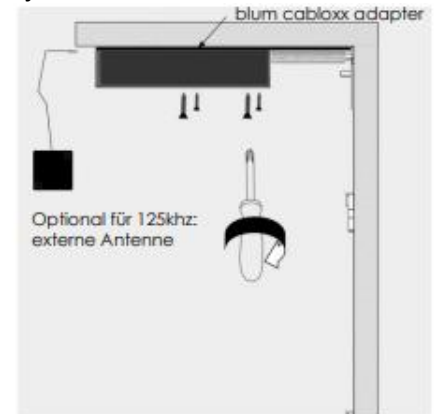
Fixing the adapter plate



fix the lock



adjust the altitude and fix the unit





PLUR

CENTRAL LOCKING SYSTEM

