

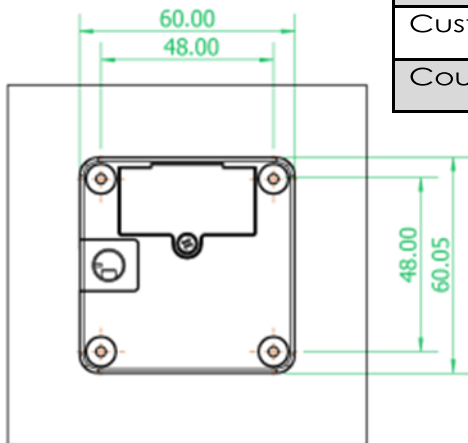
METALKIT

ACCESORY

The METAL KIT is used for mounting on metal furniture in combination with the SOLO product family.

The 42 × 42 cm cut-out on the metal door enables the antenna of the SOLO 125 or SOLO 13 lock to function.

The supplied screws are suitable for metal thicknesses of 0.5-2 mm to screw the cover plate to the lock.



Article number	Metalkit
Customs tariff number	83024200
Country of origin	Austria

