

# PAD II BLUETOOTH LOCK

With its robust housing and the innovative control, through its own "PSLocks app", the Pad II impresses with modern elegance.

**Basic parameter:**

- Height: 7,5 cm
- Depth: 7,45 cm
- Thickness: 2,45 cm

Two pieces of AAA batteries are located behind the unscrewed cover.

The battery lifetime is approx. 2 years or 20.000 opening. That depends on the quality of the used battery.

**Tempreature range:** 5-35°C

**Material:**

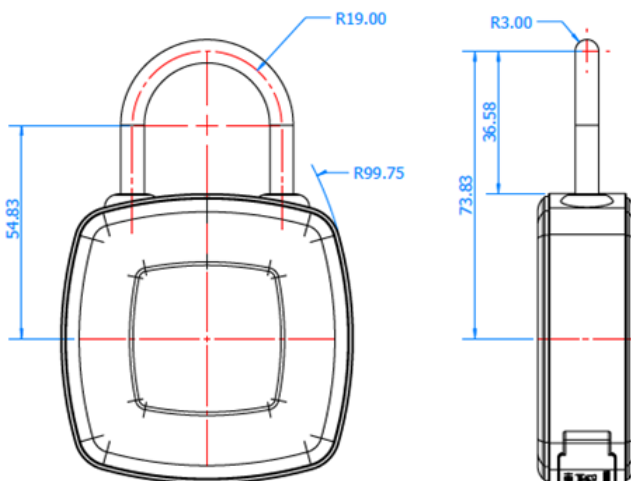
- Zinc die-cast housing
- Hardened steel bracker

**Technology:**

The lock can be controlled via Bluetooth. The "PSLocks" - App, which is provided free of charge, offers a user-friendly application for controlling the lock.

**Open source:**

Thanks to an open API interface, the lock is ideally suited for controlling with your own existing solutions. The API can be easily downloaded online on our website.



ARTICLE NUMBER	PAD II
CUSTOMS TARIFF NUMBER	83013000
COUNTRY OF ORIGIN	Austria

