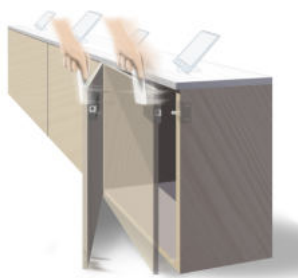


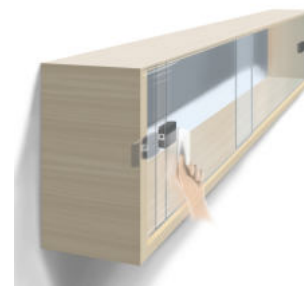
# SOLO for cabinet doors, drawers and sliding doors



CABINET DOORS



DRAWERS



SLIDING DOORS

The SOLO furniture lock is used on doors, drawers and sliding doors and fastened to the respective door or panel on the inside. Not visible from the outside, the SOLO lock is then operated with key cards, key fobs or mobile phones.

### Technology

- Bluetooth (at least Version IOS 12.0 / Android 7.0)
- RFID 125 kHz (EM4102 / EM4200)
  - up to 25 mm with RFID - key cards
  - up to 20 mm with RFID - key fobs
- RFID 13,56 MHz (Mifare ISO 14443A)
  - up to 20 mm with RFID - key cards
  - up to 15 mm with RFID - key fobs
  - up to 10 mm with Mifare debit- and credit cards



### Features

- Battery or power supply driven
  - Approx. 20.000 cycles per battery
  - "Door open alarm" optional
  - "GYM" version (free locker choice) optional
  - Programming without any pc or software
  - Simple to install and robust
- Access control up to 49 users.



### Accessories

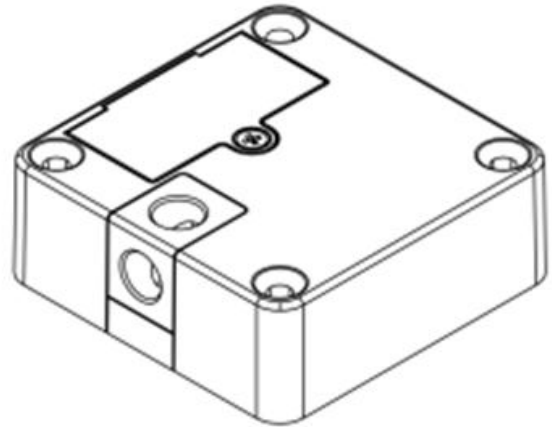
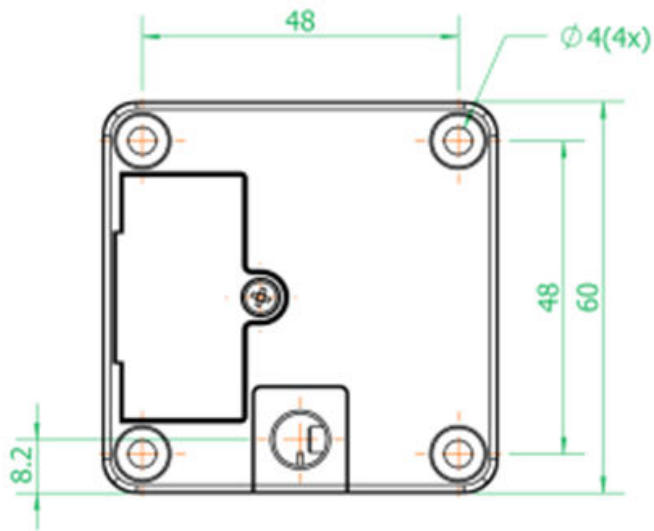
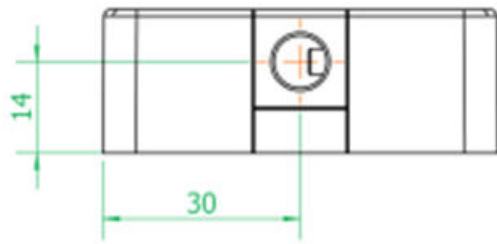
- Glas Mountingkit
- Metall Mountingkit
- External Antenna
- Access control unit with a relay output
- Master lock/ follower lock for groups with several locks
- Special wiring possible with 2.5 or 16 V DC open/close

ARTICLE NUMBER	SOLO
CUSTOMS TARIFF NUMBER	83013000
COUNTRY OF ORIGIN	Austria

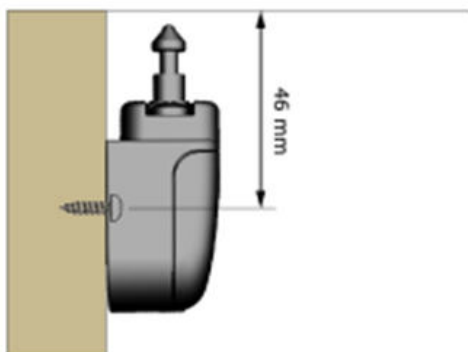
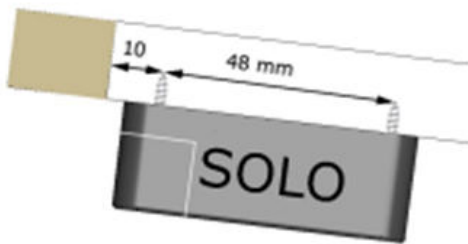
### Please take care of:

- Don't use any additional pusher, "push-to-open" or "tip-on"
- Range of temperature: 5-35°C
- Never store locks with inserted batterie

The power consumption is 15 uA during standby and 200 mA during active motor.



**INSTALLATION WITH LATCH74**



**INSTALLATION WITH LATCH75**

