

4

3

2

1

F

F

E

E

D

D

C

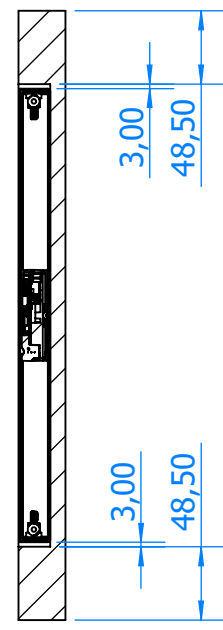
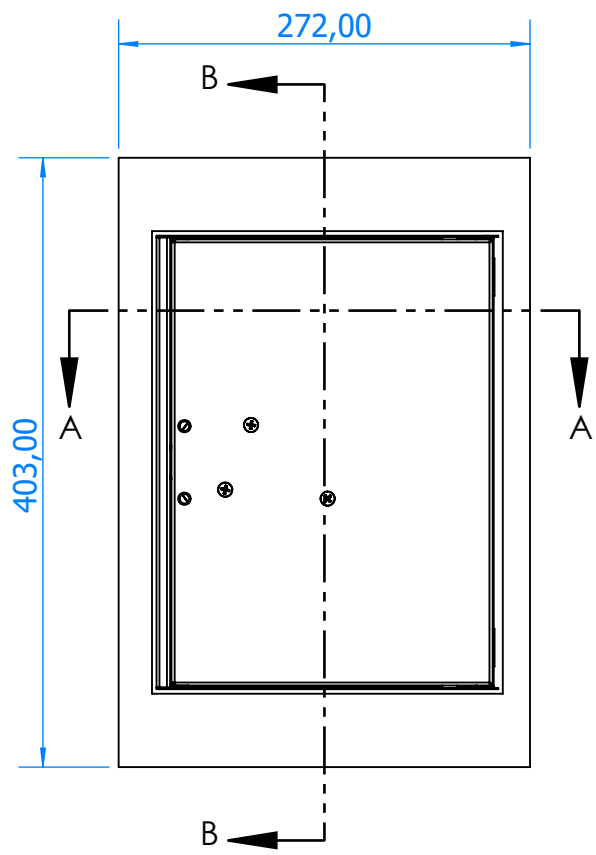
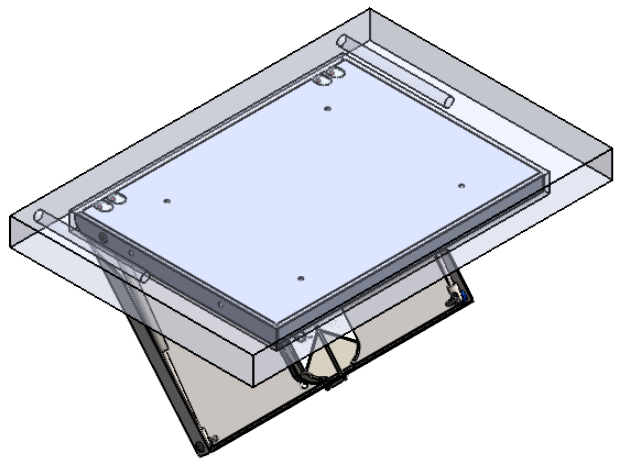
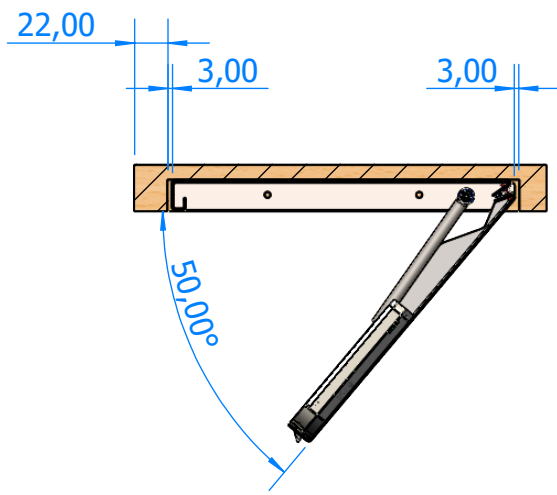
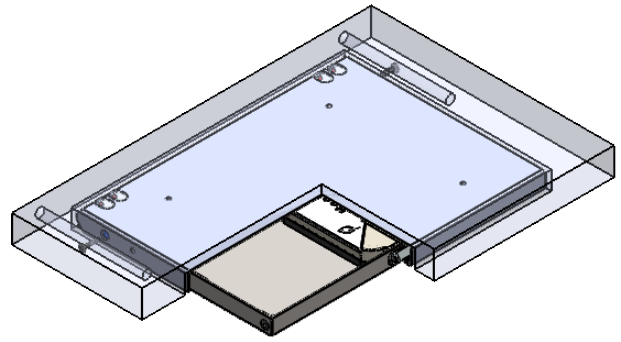
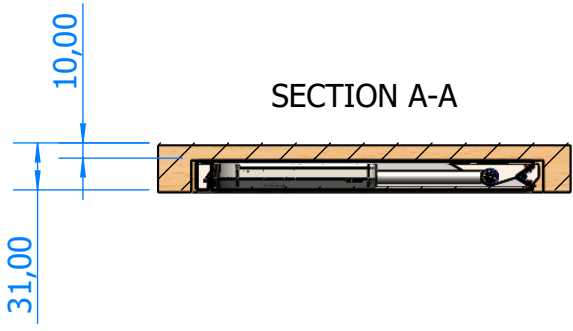
C

B

B

A

A



SECTION B-B

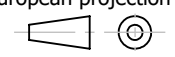
| | | |
|---|---|------------|
| 1 | - | 16/04/2024 |
| 2 | - | - |
| 3 | - | - |
| 4 | - | - |
| 9 | - | - |



PS GmbH - Austria - www.pslocks.com

draw number
DOC-CASING-DIM

europa projection



| | |
|---|---|
| F | I |
| - | - |

copyright according to ISO 16016

4

3

2

1