

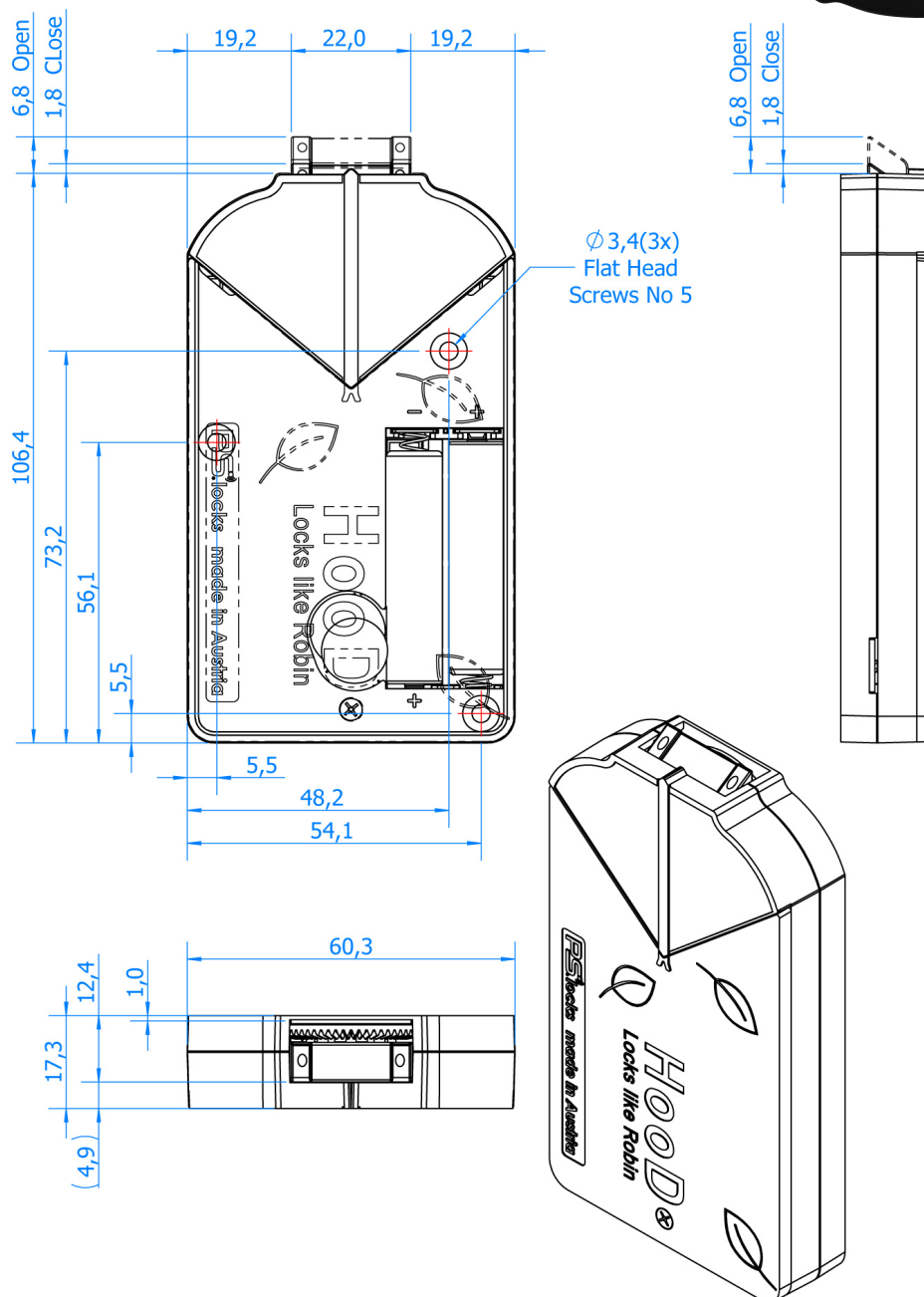
HooD

Electronic lock for drawers & furniture doors

Due to the low height of 17,3mm and the internal gear, the HooD furniture lock is very sturdy and can be used in many ways. The electronics are integrated in the robust casing and the cover hides the batteries. The HooD lock can be operated by Bluetooth or by RFID cards. The battery lifetime of the included 2 AAA lithium batteries is 3-6 years. The HooD lock is used for letterboxes, furniture doors, drawers and glass doors. D

The HooD lock is used for letterboxes, furniture doors, drawers and glass doors.

The HooD lock can be operated by Bluetooth or by RFID cards. The battery lifetime of the included 2 AAA lithium batteries is 3-6 years.



Hood

Emergency exits

It's important to ensure safety in any space, especially when it comes to hidden doors or concealed areas. If people are inside a hidden space, having an emergency exit is crucial for their safety.

Even if the door is hidden, consider using signage or indicators that can guide people to the exit without causing panic.

The exit lever is a simple mechanism that can be operated quickly, even under stress.

Ensure that any hidden doors or concealed spaces have clearly defined emergency exits that comply with local fire and safety codes.

